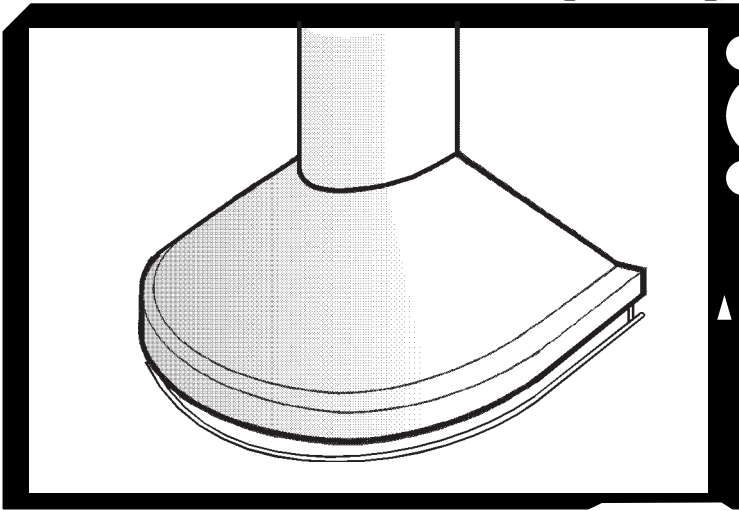


best[®]

BY BROAN



Model K15

ENGLISH.....	3
FRANÇAIS.....	11
ESPAÑOL.....	19

READ AND SAVE THESE INSTRUCTIONS

 **INTENDED FOR DOMESTIC COOKING ONLY** 

WARNING

TO REDUCE THE RISK OF FIRE, ELECTRIC SHOCK, OR INJURY TO PERSONS, OBSERVE THE FOLLOWING:

1. Use this unit only in the manner intended by the manufacturer. If you have questions, contact the manufacturer at the address or telephone number listed in the warranty.
2. Before servicing or cleaning unit, switch power off at service panel and lock service panel to prevent power from being switched on accidentally. When the service disconnecting means cannot be locked, securely fasten a prominent warning device, such as a tag, to the service panel.
3. Installation work and electrical wiring must be done by a qualified person(s) in accordance with all applicable codes and standards, including fire-rated construction codes and standards.
4. Sufficient air is needed for proper combustion and exhausting of gases through the flue (chimney) of fuel burning equipment to prevent backdrafting. Follow the heating equipment manufacturer's guidelines and safety standards such as those published by the National Fire Protection Association (NFPA), and the American Society for Heating, Refrigeration and Air Conditioning Engineers (ASHRAE), and the local code authorities.
5. When cutting or drilling into wall or ceiling, do not damage electrical wiring and other hidden utilities.
6. Ducted fans must always be vented to the outdoors.
7. Do not use this unit with any separate solid-state speed control device.
8. To reduce the risk of fire, use only metal ductwork.
9. This unit must be grounded.

TO REDUCE THE RISK OF A RANGE TOP GREASE FIRE:

- A. Never leave surface units unattended at high settings. Boilovers cause smoking and greasy spillovers that may ignite. Heat oils slowly on low or medium settings.
- B. Always turn hood ON when cooking at high heat or when flambeing food (i.e. Crepes Suzette, Cherries Jubilee, Peppercorn Beef Flambe').
- C. Clean ventilating fans frequently. Grease should not be allowed to accumulate on fan or filter.
- D. Use proper pan size. Always use cookware appropriate for the size of the surface element.

WARNING

TO REDUCE THE RISK OF INJURY TO PERSONS IN THE EVENT OF A RANGE TOP GREASE FIRE, OBSERVE THE FOLLOWING:*

1. **SMOTHER FLAMES** with a close-fitting lid, cookie sheet, or metal tray, then turn off the burner. **BE CAREFUL TO PREVENT BURNS.** If the flames do not go out immediately, **EVACUATE AND CALL THE FIRE DEPARTMENT.**
2. **NEVER PICK UP A FLAMING PAN** - You may be burned.
3. **DO NOT USE WATER**, including wet dishcloths or towels - violent steam explosion will result.
4. Use an extinguisher **ONLY** if:
 - A. You know you have a Class ABC extinguisher and you already know how to operate it.
 - B. The fire is small and contained in the area where it started.
 - C. The fire department is being called.
 - D. You can fight the fire with your back to an exit.

* Based on "Kitchen Fire Safety Tips" published by NFPA.

CAUTION

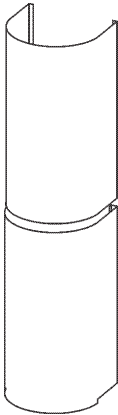
1. To reduce risk of fire and to properly exhaust air, be sure to duct air outside. Do not vent exhaust air into spaces within walls or ceilings or into attics, crawl spaces, or garages.
2. Take care when using cleaning agents or detergents.
3. Avoid using food products that produce flames under the Range Hood.
4. For general ventilating use only. Do not use to exhaust hazardous or explosive materials and vapors.
5. To avoid motor bearing damage and noisy and/or unbalanced impellers, keep drywall spray, construction dust, etc. off power unit.
6. Your hood motor has a thermal overload which will automatically shut off the motor if it becomes overheated. The motor will restart when it cools down. If the motor continues to shut off and restart, have the hood serviced.
7. For best capture of cooking impurities, the bottom of the hood should be a minimum of 24" and a maximum of 30" above the cooking surface.
8. Two installers are recommended because of the large size and weight of this hood.
9. This product is equipped with a thermostat which may start blower automatically. To reduce the risk of injury and to prevent power from being switched on accidentally, switch power off at service panel and lock or tag service panel.
10. Use with approved cord-connection kit only.
11. Please read specification label on product for further information and requirements.

PREPARE THE HOOD

Unpack hood and check contents.

You should receive:

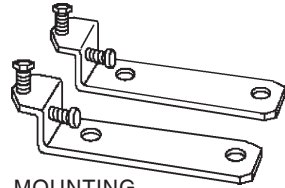
- 1 - Hood
- 1 - Decorative Flue Assembly
- 1 - Duct Collar
- 1 - Parts Bag (B080810054) containing:
 - 1 - Flue Mounting Bracket
 - 2 - Mounting Brackets
 - 10 - Mounting Screws (4,8 x 38mm Pan Head)
 - 4 - Mounting Screws (3,9 x 6mm Pan Head)
 - 4 - Mounting Screws (3,9 x 6mm Pan Head - Black)
 - 10 - Drywall Anchors
- 1 - Installation Instructions
- 1 - Warranty Card



DECORATIVE
FLUE



FLUE MOUNTING
BRACKET



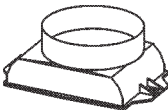
MOUNTING
BRACKETS



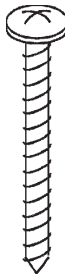
4 MOUNTING
SCREWS (3,9x6mm
Pan Head)



4 MOUNTING
SCREWS (3,9x6mm
Pan Head - Black)



DUCT
COLLAR



10 MOUNTING SCREWS
(4,8 x 38mm Pan Head)

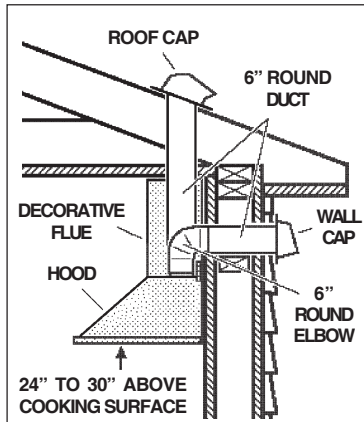


10 DRYWALL
ANCHORS

INSTALL THE DUCTWORK

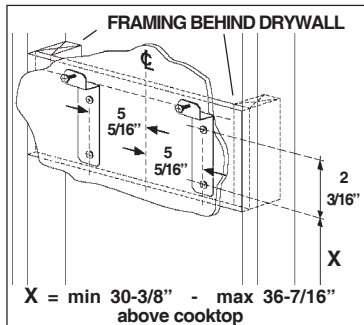
NOTE: To reduce the risk of fire, use only metal ductwork.

1. Decide where the ductwork will run between the hood and the outside.
2. A straight, short duct run will allow the hood to perform most efficiently.
3. Long duct runs, elbows, and transitions will reduce the performance of the hood. Use as few of them as possible.
4. Install a roof or wall cap. Connect 6" round metal ductwork to cap and work back towards hood location. Use duct tape to seal the joints between ductwork sections.



INSTALL MOUNTING BRACKETS

1. Construct wood wall **framing** that is flush with interior surface of wall studs. Make sure:
 - a) the framing is centered over installation location.
 - b) the height of the framing will allow the **mounting brackets** to be secured to the framing within the dimensions shown.
2. After wall surface is finished, secure mounting brackets to framing using dimensions shown.

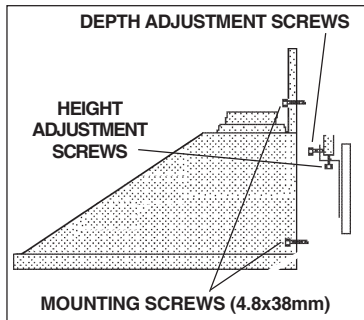
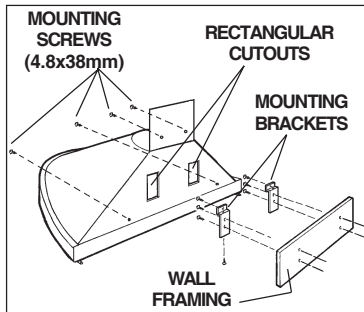


INSTALL THE HOOD

1. Hang the hood from the brackets through the **rectangular cut-outs** on the back of the hood. Cut-outs are larger than the brackets to allow for horizontal adjustment.

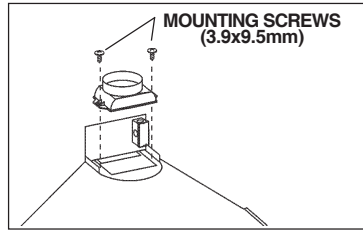
The bottom of the hood should be 24" to 30" above the cooking surface.

2. **Height adjustment screws** provide vertical adjustment.
3. **Depth adjustment screws** provide horizontal adjustment.
4. Secure the hood with **mounting screws** (4.8x38mm). Use drywall anchors, provided, if wall studs or framing are not available.



INSTALL DUCT COLLAR

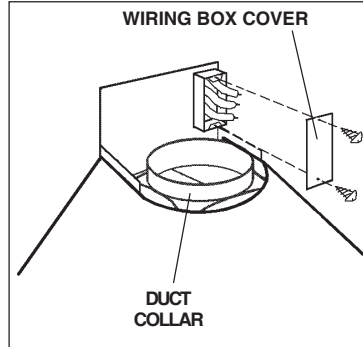
Attach the duct collar onto the hood; it must be attached by means of 2 mounting screws (3,9x9,5 mm Pan Head).



WIRING

Note: This range hood must be properly grounded. The unit should be installed by a qualified electrician in accordance with all applicable national and local electrical codes.

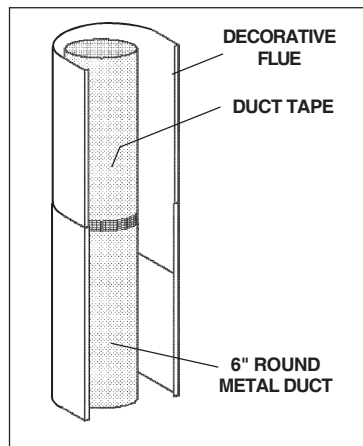
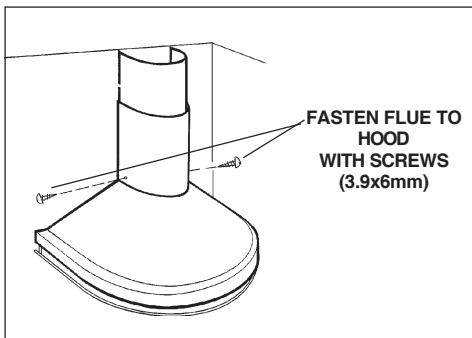
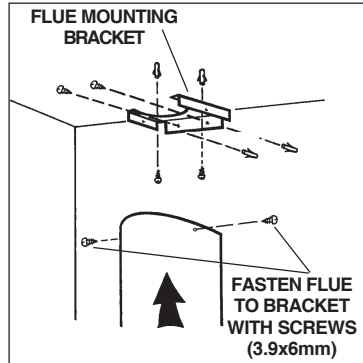
1. Remove the **wiring box cover**. Remove a knockout from the wiring box.
2. Secure the conduit to the wiring box through a conduit connector.
3. Make electrical connections. Connect white to white, black to black and green to green.
4. Replace wiring box cover and screws. Make sure that wires are not pinched between cover and box.



CONNECT DUCTWORK

Ducted Configuration

1. Use (2) screws (4.8x38mm) and wall anchors to secure **flue mounting bracket** to the ceiling or wall as shown.
2. Use **6" round metal duct** to connect the duct collar on the hood to the ductwork above.
3. Use **duct tape** to make all joints secure and air tight.
4. Connect the upper section of decorative flue to the bracket with screws provided (3.9x6mm).
5. Slide the lower section of decorative flue downward, until it fits properly around hood.
6. Secure decorative flue to hood with screws provided (3.9x6mm).



MAINTENANCE

Grease Filters

The **grease filters** should be cleaned frequently. Use a warm detergent solution. Grease filters are dishwasher safe.

To take off the grease filters: at the handle, push the stop inwards and pull the filters downwards.



Hood Cleaning

Stainless steel is one of the easiest materials to keep clean. Occasional care will help preserve its fine appearance.

Cleaning tips:

- Hot water with soap or detergent is all that is usually needed.
- Follow all cleaning by rinsing with clear water. Wipe dry with a clean, soft cloth to avoid water marks.
- For discolorations or deposits that persist, use a non-scratching household cleanser or stainless steel polishing powder with a little water and a soft cloth.
- For stubborn cases, use a plastic scouring pad or soft bristle brush together with cleanser and water. Rub lightly in direction of polishing lines or "grain" of the stainless finish. Avoid using too much pressure which may mar the surface.
- **DO NOT** allow deposits to remain for long periods of time.
- **DO NOT** use ordinary steel wool or steel brushes. Small bits of steel may adhere to the surface causing rust.
- **DO NOT** allow salt solutions, disinfectants, bleaches, or cleaning compounds to remain in contact with stainless steel for extended periods. Many of these compounds contain chemicals which may be harmful. Rinse with water after exposure and wipe dry with a clean cloth.

Painted surfaces should be cleaned with warm water and mild detergent only.

OPERATION

Controls

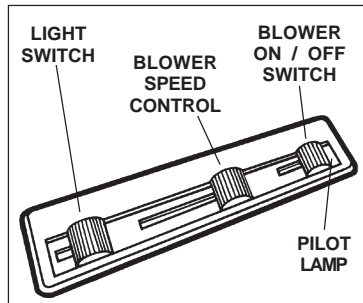
The hood is operated using the slide controls under the front edge of the hood.

The **light switch** turns the halogen lights on and off.

The **blower on / off switch** turns the blower on to the running speed set by the blower speed control. The blower must be turned on and off using this switch.

The **blower speed control** changes the running speed of the blower (1-2-3).

The **pilot lamp** lights up whenever the blower is on.



HEAT SENTRY™

Your hood is equipped with a HEAT SENTRY™ thermostat. This thermostat is a device that will turn on or speed up the blower if it senses excessive heat above the cooking surface.

1) If blower is OFF - it turns blower ON to HIGH speed.

2) If blower is ON at a lower speed setting - it turns blower up to HIGH speed.

When the temperature level drops to normal, the blower will return to its original setting.

WARNING

The HEAT SENTRY thermostat can start the blower even if the hood is turned OFF. When this occurs, it is impossible to turn the blower OFF with its switch. If you must stop the blower, do it from the main electrical panel.

HALOGEN BULBS

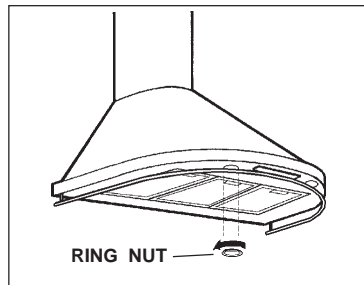
This range hood requires two halogen bulbs (Type JC, 12Volt, 20Watt Max, G-4 Base).

ALWAYS SWITCH OFF THE ELECTRICITY SUPPLY BEFORE CARRYING OUT ANY OPERATIONS ON THE APPLIANCE.

To change bulbs:

1. Loosen the ring nut by turning it counterclockwise.
2. Remove the bulb by pulling sideward (Do not rotate). CAUTION: BULB MAY BE HOT!
3. Replace with Type JC, 12Volt, 20Watt Max, G-4 Base halogen bulb.

IN CASE THE NEW HALOGEN BULB DOES NOT LIGHT UP ONCE IT IS ON, CALL THE QUALIFIED PERSON.



FUSE REPLACEMENT

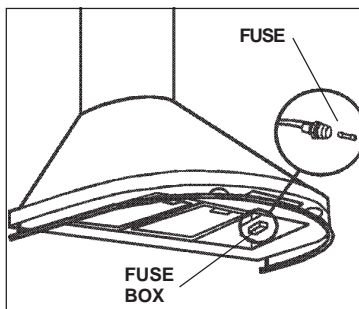
SWITCH OFF THE ELECTRICITY SUPPLY.

Remove the grease filters.

Remove the fuse box screws.

Open the fuse box.

Replace with the same type of fuse (5x20mm, 4A, 125V).



WARRANTY

BROAN ONE YEAR LIMITED WARRANTY

Broan warrants to the original consumer purchaser of its products that such products will be free from defects in materials or workmanship for a period of one year from the date of original purchase. THERE ARE NO OTHER WARRANTIES, EXPRESS OR IMPLIED, INCLUDING, BUT NOT LIMITED TO, IMPLIED WARRANTIES OR MERCHANTABILITY OR FITNESS FOR A PARTICULAR PURPOSE.

During this one-year period, Broan will, at its option, repair or replace, without charge, any product or part which is found to be defective under normal use and service.

THIS WARRANTY DOES NOT EXTEND TO FLUORESCENT LAMP STARTERS, TUBES, HALOGEN AND INCANDESCENT BULBS. This warranty does not cover (a) normal maintenance and service or (b) any products or parts which have been subject to misuse, negligence, accident, improper maintenance or repair (other than by Broan), faulty installation or installation contrary to recommended installation instructions.

The duration of any implied warranty is limited to the one-year period as specified for the express warranty. Some states do not allow limitation on how long an implied warranty lasts, so the above limitation may not apply to you.

BROAN'S OBLIGATION TO REPAIR OR REPLACE, AT BROAN'S OPTION, SHALL BE THE PURCHASER'S SOLE AND EXCLUSIVE REMEDY UNDER THIS WARRANTY. BROAN SHALL NOT BE LIABLE FOR INCIDENTAL, CONSEQUENTIAL OR SPECIAL DAMAGES ARISING OUT OF OR IN CONNECTION WITH PRODUCT USE OR PERFORMANCE. Some states do not allow the exclusion or limitation of incidental or consequential damages, so the above limitation or exclusion may not apply to you.

This warranty gives you specific legal rights, and you may also have other rights, which vary from state to state. This warranty supersedes all prior warranties.

To qualify for warranty service, you must (a) notify Broan at the address stated below or telephone: 1-800-637-1453, (b) give the model number and part identification and (c) describe the nature of any defect in the product or part. At the time of requesting warranty service, you must present evidence of the original purchase date.

BEST BY BROAN, P.O. Box 140 Hartford, Wisconsin 53027

LISEZ ET CONSERVEZ CES INSTRUCTIONS

 **SEULEMENT POUR UTILISATION DOMESTIQUE** 

AVERTISSEMENTS

POUR REDUIRE LES RISQUES D'INCENDIE, DE DECHARGES ELECTRIQUES OU DE DOMMAGES AUX PERSONNES, OBSERVEZ LES INSTRUCTIONS SUIVANTES:

1. N'utilisez cet appareil que comme cela est indiqué par le constructeur. Si vous avez des problèmes, contactez le fabricant à l'adresse ou au numéro de téléphone indiqués dans la garantie.
2. Avant de pouvoir à l'entretien ou au nettoyage de votre appareil, éteignez-le au tableau des commandes ou bloquez le tableau des commandes afin d'éviter de le mettre en marche accidentellement. Si vous ne pouvez pas bloquer le système permettant d'éteindre votre appareil, appliquez un avertissement extérieur d'une façon sûre, comme par exemple un panneau, sur le tableau des commandes.
3. L'assemblage et la connexion électrique doivent être faits par des personnes qualifiées en respectant les normes et règlements en vigueur, y compris les normes et règlements concernant les possibilités d'incendie.
4. Il est indispensable qu'il y ait suffisamment d'air pour que la combustion et l'évacuation des gaz à travers le tuyau du brûleur du combustible ait lieu sans retour de flamme. Suivez les indications données par le fabricant du brûleur ainsi que les normes de sécurité comme celles qui sont publiées par l'Association Nationale pour la Protection contre les Incendies National Fire Protection Association (NFPA) et la American Society for Heating, Refrigeration and Air Conditioning Engineers (ASHRAE), et les autorités locales en matière de normes.
5. Quand vous coupez ou percez des trous dans le mur ou le plafond, n'abîmez pas les fils électriques ou autres.
6. Le ventilateur canalisé doit toujours évacuer l'air vers l'extérieur.
7. N'utilisez pas cet appareil avec un appareil contrôlant la vitesse à état solide.
8. Afin de diminuer tout risque d'incendie n'utilisez que des conduits en métal.
9. Votre appareil doit être relié à la terre.

ATTENTION - POUR REDUIRE LES RISQUES D'INCENDIE DES MATIERES GRASSES QUI SONT EN TRAIN DE CUIRE:

- A. Ne laissez jamais ni vos éléments chauffants, ni vos casseroles ou poêles sur le feu sans les contrôler si vous réglez l'apport de chaleur sur une position élevée. Si vos casseroles ou poêles débordent cela provoque de la vapeur et des éclaboussures de graisse qui peuvent prendre feu. Chauffez les huiles lentement à feu bas ou moyen.
- B. Faites toujours fonctionner votre hotte quand vous cuisez à des températures élevées ou quand vous cuisinez des plats flambés. (par ex. crêpes Suzette, Cerises "Jubilé", Steak au poivre flambé).
- C. Nettoyez régulièrement les ailes de vos ventilateurs. Ne permettez pas que la graisse s'accumule sur le ventilateur ou sur le filtre.
- D. Utilisez des casseroles de taille appropriée. Utilisez toujours des ustensiles de cuisson dont la taille est appropriée à la surface de votre élément de cuisson.

AVERTISSEMENTS

POUR REDUIRE LES RISQUES DE DOMMAGES AUX PERSONNES AU CAS OÙ VOTRE CUISINIÈRE PRENDRAIT FEU, OBSERVEZ LES INSTRUCTIONS SUIVANTES:*

1. **ETEINDRE LES FLAMMES** à l'aide d'un couvercle le plus hermétique possible, une plaque à gâteaux, ou un plateau en métal, puis éteindre le brûleur. **ATTENTION à NE PAS VOUS BRÛLER.** Si les flammes ne s'éteignent pas immédiatement, **SORTEZ ET APPELEZ LES POMPIERS.**
2. **NE PRENEZ JAMAIS EN MAIN UNE POÊLE OU UNE CASSEROLE QUI A PRIS FEU** - Vous pourriez vous brûler.
3. **N'UTILISEZ PAS D'EAU,** ni torchons ou serviettes mouillés - vous provoqueriez une violente explosion de vapeur.

4. Utilisez un extincteur SEULEMENT si:
- A. Vous savez que vous avez un extincteur Classe ABC, et vous en connaissez déjà le mode d'emploi.
 - B. Ce n'est pas un très gros incendie et qu'il se limite à l'endroit où il a explosé.
 - C. Vous êtes en train d'avertir les pompiers.
 - D. Vous avez la possibilité d'essayer d'éteindre l'incendie en ayant le dos tourné vers une issue.
- * D'après les "Suggestions concernant la Sécurité contre les incendies des cuisines" publiées par NFPA.



ATTENTION

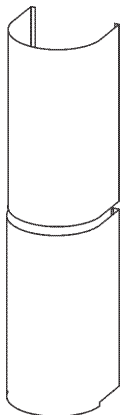
1. Pour réduire tout risque d'incendie et pour évacuer correctement l'air, assurez-vous de prévoir un conduit de ventilation extérieur. Ne videz pas l'air dans les espaces limités par des murs ou des plafonds, les combles, les passages étroits ou les garages.
2. Faites très attention quand vous utilisez des produits de nettoyage ou des détergents.
3. Évitez d'utiliser des aliments pouvant s'enflammer sous la Range Hood.
4. N'utilisez cet appareil que pour une ventilation générale. Ne l'utilisez pas pour évacuer des matières ou des vapeurs dangereuses ou qui peuvent exploser.
5. Pour éviter de causer des dommages au moteur et de rendre les rotors bruyants et/ou non équilibrés, évitez que les sprays pour murs secs, la poussière de construction entrent en contact avec la partie électrique.
6. Le moteur de votre hotte a un thermostat qui éteindra automatiquement le moteur s'il est surchauffé. Le moteur se remettra en marche lorsqu'il se sera refroidi. Si le moteur continue à s'éteindre et à se remettre en marche, faites vérifier votre hotte.
7. Pour mieux capturer les impuretés de cuisine, le bas de votre hotte devrait être à une distance minimum de 24" et à une distance maximum de 30" au-dessus du plan de cuisson.
8. Vu que cette hotte est grande et lourde, il est recommandé de confier l'installation de cette hotte à deux personnes.
9. Ce produit est doté d'un thermostat qui active automatiquement le moteur. Pour réduire le risque de dommages et éviter l'activation accidentelle, positionner l'interrupteur du panneau de service sur la position OFF et bloquer le panneau de service ou mettre un avertissement externe, par exemple une plaquette.
10. Utiliser uniquement avec un kit de connexion pour alimentation homologué.
11. Nous vous recommandons de lire l'étiquette indiquant les caractéristiques de votre hotte pour de plus amples informations et exigences.

PREPAREZ LA HOTTE

Enlever la hotte dans l'emballage et contrôler le contenu.

Vous devez recevoir :

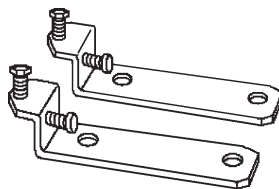
- 1 - Hotte
- 1 - Conduit décoratif
- 1 - Collier du tuyau
- 1 - Sachet (B080810054) avec:
 - 1 - Étrier de support
 - 2 - Étriers d'assemblage
 - 10 - Vis d'assemblage (4,8 x 38mm Tête ronde)
 - 4 - Vis d'assemblage (3,9 x 6mm Tête ronde)
 - 4 - Vis d'assemblage (3,9 x 6mm Tête ronde - Noire)
 - 10 - Chevilles
- 1 - Instructions pour l'installation
- 1 - Garantie



CONDUIT
DECORATIVE



ETRIER DE
SUPPORT



ETRIERS
D'ASSEMBLAGE



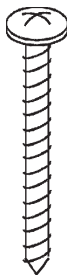
4 VIS D'ASSEMBLAGE
(3,9x6mm Tête ronde)



4 VIS D'ASSEMBLAGE
(3,9x6 mm Tête ronde
- Noire)



COLLIER DU
TUYAU



10 VIS
D'ASSEMBLAGE(4,8x38mm
Tête ronde)

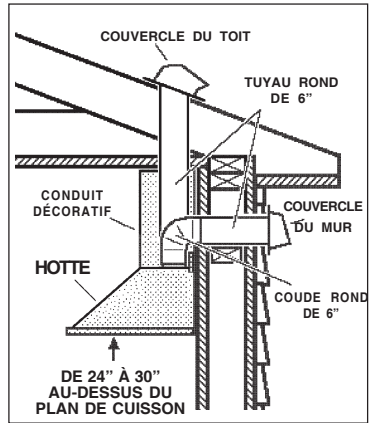


10 CHEVILLES

INSTALLATION DU SYSTEME D'EVACUATION

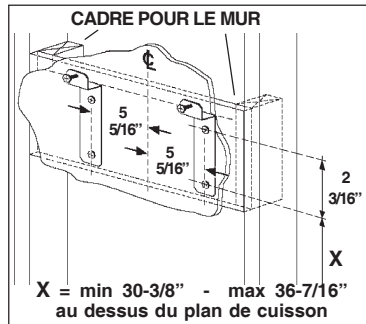
REMARQUE: Pour réduire les risques d'incendie, n'utilisez que des tuyaux en métal.

1. Décidez où le tuyau doit être installé, entre votre hotte et l'extérieur.
2. Un tuyau droit et court permettra à votre hotte de fonctionner d'une façon plus efficace.
3. Un tuyau long avec des coudes et des transitions réduira le bon fonctionnement de votre hotte. En utiliser le moins possible.
4. Installez un couvercle sur le toit ou au mur. Reliez un tuyau en métal rond de 6" au couvercle et faites-le aller jusqu'à l'emplacement de votre hotte. Rendez les jonctions du tuyau hermétiques au moyen d'un ruban pour tuyaux.



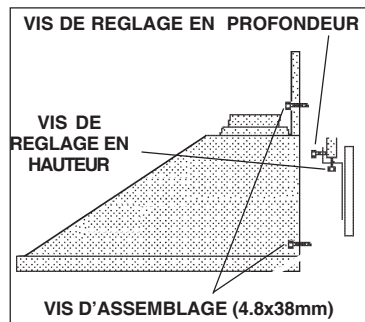
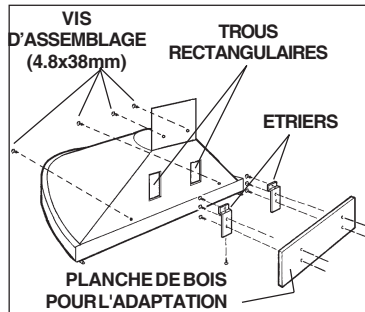
INSTALLATION DES ETRIER D'ASSEMBLAGE

1. Construisez un **cadre** en bois pour le mur dont les vis-pivot ne dépassent pas. Assurez-vous:
 - a) que le cadre est centré au-dessus de l'emplacement de l'installation.
 - b) la hauteur du cadre permettra que les **étriers d'assemblage** soient fixés au cadre en respectant les dimensions indiquées.
2. **Après avoir terminé la surface du mur**, fixez les **étriers d'assemblage** au cadre en respectant les dimensions qui sont indiquées.



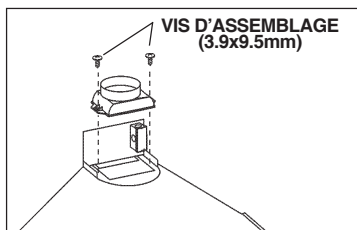
INSTALLATION DE VOTRE HOTTE

1. Accrochez votre hotte aux étriers par les **trous rectangulaires** qui se trouvent derrière votre hotte. Les trous sont plus grands que les étriers afin de vous permettre d'ajuster le tout horizontalement. Le fond de votre hotte devrait être à entre 24" et 30" au-dessus de la surface de cuisson.
2. Les **vis de réglage en hauteur** permettent de régler verticalement.
3. Les **vis de réglage en profondeur** permettent de régler horizontalement.
4. Fixez votre hotte avec des **vis d'assemblage** (4.8x38mm). Utilisez des chevilles pour mur à sec, qui vous sont fournies, si vous ne trouvez pas les vis-pivot ou le cadre.



INSTALLATION DU COLLIER DU TUYAU DU TUYAU

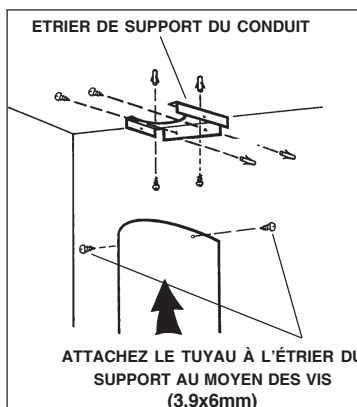
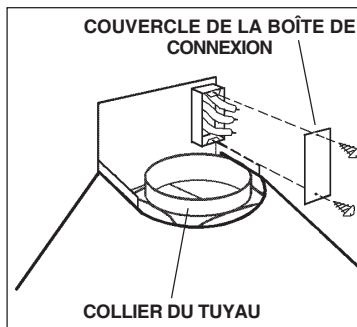
Fixez le collier du tuyau au haut de votre hotte; la fixation a lieu au moyen des 2 vis d'assemblage (3,9 x 9,5mm Tête ronde).



INSTALLATION ELECTRIQUE

Remarque: Ce modèle de hotte doit être relié à la terre correctement. Cet article devrait être installé par un électricien qualifié selon les lois nationales et locales en matière d'électricité.

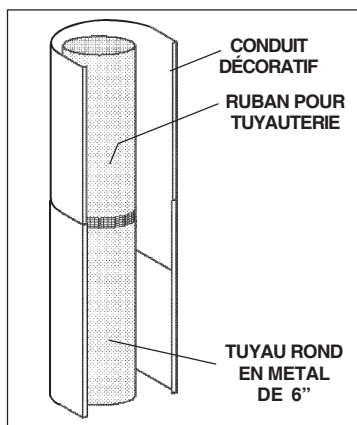
1. Enlevez le couvercle de la **boîte de connexion électrique**. Ouvrez un trou de la boîte de connexion électrique.
2. Fixer le "conduit" au boîtier de connexion à l'aide d'un connecteur approprié pour ce "conduit".
3. Faites le raccordement électrique. Reliez le blanc au blanc, le noir au noir et le vert au vert.
4. Remettez le couvercle de la boîte de connexion et les vis. Assurez-vous que les fils se sont pas coincés entre le couvercle et la boîte.



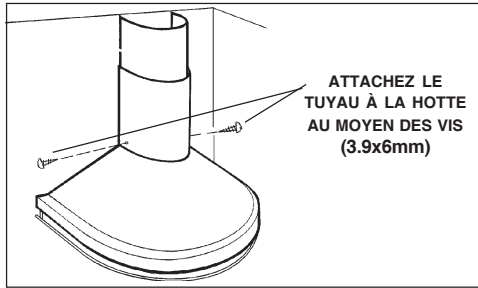
CONNEXION DU SYSTEME D'EVACUATION

Modèle avec tuyau d'évacuation

1. Fixez l'**étrier de support du conduit** au plafond ou au mur au moyen des (2) vis (4.8x38mm) et des chevilles comme cela est indiqué.
2. Reliez le collier du tuyau qui se trouve sur votre hotte au système de conduction qui se trouve au-dessus au moyen d'un **tuyau rond en métal de 6" (150mm)**.
3. Utilisez un ruban pour tuyauterie afin de rendre toutes les jonctions sûres et étanches.
4. Reliez le haut de conduit décoratif à l'étrier au moyen des vis qui vous sont fournies (3.9x6mm).



5. Faites glisser la section du bas du conduit décoratif vers le bas, jusqu'à ce qu'il adhère correctement autour de la hotte.
6. Fixez le conduit décoratif à votre hotte au moyen des vis qui vous sont fournies (3.9x6mm).

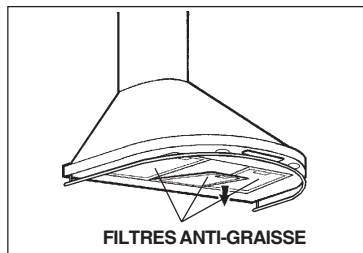


ENTRETIEN

Filtres anti-graisse

Les **filtres anti-graisse** doivent être nettoyés fréquemment. Utilisez une solution contenant un détergent tiède. Les filtres anti-graisse peuvent être lavés au lave-vaisselle.

Pour enlever les filtres anti-graisse: à l'aide de la poignée, pousser l'arrêt vers l'intérieur et tirer le filtre vers le bas.



Nettoyage de votre hotte

L'acier inoxydable est une des matières les plus faciles à nettoyer. Un entretien de temps en temps permettra de le conserver en parfait état. Conseils pour le nettoyage:

- Eau chaude et savon ou détergent est tout ce qui est normalement nécessaire.
- Après chaque nettoyage, rincez bien à l'eau claire. Essuyez avec un chiffon propre et doux afin d'éviter les taches d'eau.
- Si des décolorations ou des dépôts persistent, utilisez un nettoyant domestique non abrasif ou de la poudre pour l'acier inoxydable et un peu d'eau et un chiffon doux.
- Dans les cas difficiles, utilisez une éponge en plastique ou une brosse douce avec du nettoyant et de l'eau. Frottez légèrement en suivant la direction du polissage ou du "grain" de l'acier inoxydable. Evitez de frotter trop fort afin de ne pas abîmer la surface.
- **NE LAISSEZ PAS** les taches trop longtemps.
- **N'UTILISEZ PAS** de laines d'acier ordinaires ou des brosses en acier. Des débris d'acier pourraient adhérer à la surface et causer de la rouille.
- **NE PERMETTEZ PAS** que des solutions salées, des désinfectants, des blanchissants ou des produits nettoyants restent en contact avec l'acier pendant longtemps. Beaucoup de ces produits contiennent des produits chimiques qui pourraient causer des dommages. Rincez à l'eau immédiatement s'ils entrent en contact et essuyez avec un chiffon humide.

Les surfaces peintes doivent être nettoyées avec de l'eau tiède additionnée d'un détergent doux seulement.

FONCTIONNEMENT

Commandes

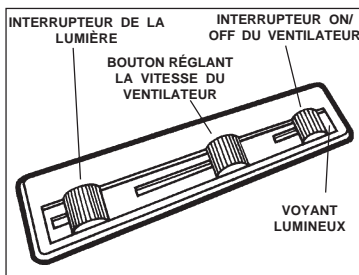
Votre hotte fonctionne grâce à des interrupteurs que vous faites glisser sur le devant de votre hotte.

L'**interrupteur de la lumière** allume et éteint les lampes halogènes.

L'**interrupteur ON/OFF du ventilateur** fait fonctionner le ventilateur à la vitesse établie par le bouton réglant la vitesse. Le ventilateur est mis en marche et arrêté au moyen de cet interrupteur.

Le **bouton réglant la vitesse** change la vitesse de fonctionnement du ventilateur (1-2-3).

Le **voyant lumineux** s'allume quand le ventilateur fonctionne.



HEAT SENTRY^{MC}

Votre hotte est munie d'un thermostat HEAT SENTRY^{MC}. Ce thermostat est un dispositif qui actionnera ou augmentera la vitesse du ventilateur s'il détecte une chaleur excessive au-dessus de la surface de cuisson.

1) Si le ventilateur n'est pas en marche - il actionnera le ventilateur en haute vitesse.

2) Si le ventilateur fonctionne en basse vitesse - le ventilateur tournera en haute vitesse.

Lorsque la température revient à la normale, le ventilateur retourne à sa vitesse d'origine.

AVERTISSEMENT

Le thermostat HEAT SENTRY^{MC} peut actionner la hotte même si la hotte est arrêtée. Si tel est le cas, il est impossible de l'arrêter avec l'interrupteur. Si vous devez arrêter le ventilateur, faites-le à partir du panneau électrique principal.

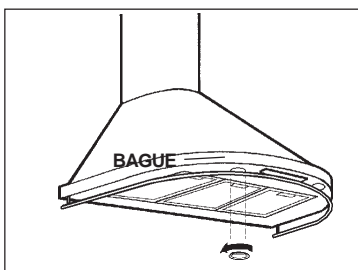
AMPOULES HALOGENES

Ce modèle de hotte veut deux (2) ampoules halogènes (Type JC, 12V, 20 W Max, G-4Base).

AVANT DE PROCÉDER À QUELCONQUE OPÉRATION, DÉBRANCHEZ L'APPAREIL.

Pour changer les ampoules:

1. Dévissez la bague dans le sens contraire aux aiguilles d'une montre.
2. Enlevez l'ampoule en tirant sur le côté (Ne la faites pas tourner). ATTENTION: L'AMPOULE PEUT ÊTRE CHAUDE!
3. Remplacer par une ampoule ayant les mêmes caractéristiques (Type JC, 12V, 20 Watt Max, G-4 Base).



SI, APRÈS AVOIR REMPLACÉ LA LAMPE HALOGENÈ, CELLE-CI NE FONCTIONNE PAS, CONTACTER LE TECHNICIEN.

REEMPLACEMENT FUSIBLE

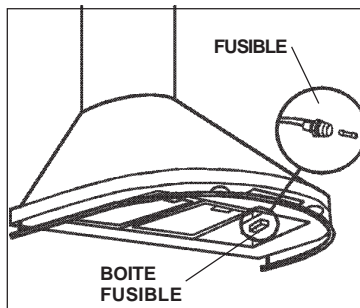
DÉBRANCHEZ L'APPAREIL.

Enlevez les filtres anti-graisse.

Enlevez les vis sur la boîte fusible.

Ouvrir la boîte fusible.

Remplacez par un fusible du même type (5x20mm, 4A, 125V).



GARANTIE

GARANTIE BROAN LIMITÉE À UN AN

Broan garantit au consommateur-acheteur de ses produits que ces produits seront sans défauts concernant les matières employées et concernant la fabrication pendant une période d'un an à partir de la date d'achat. IL N'Y A AUCUNE AUTRE GARANTIE, EXPLICITE OU IMPLICITE, Y COMPRIS, MAIS NON PAS LIMITÉE A, LES GARANTIES IMPLICITES OU CONCERNANT LA CAPACITÉ COMMERCIALE OU LA CONVENANCE POUR TOUT BUT PARTICULIER. Pendant cette période d'un an, Broan réparera ou remplacera, s'il le jugera nécessaire, gratuitement, tout article ou toute pièce qui résulteront défectueux à condition qu'ils aient été utilisés et entretenus correctement.

CETTE GARANTIE NE S'ÉTEND PAS AUX INTERRUPTEURS DES NEON, NEON, LAMPES HALOGENES, AMPOULES d'ILLUMINATION. Cette garantie ne couvre pas (a) l'entretien normal ni (b) tout article ou toute pièce qui aient subi une utilisation erronée, une négligence, un accident, un entretien erroné ou une réparation (autre que de la part de Broan), une installation défectueuse ou bien une installation ne respectant pas les instructions d'installation recommandées.

La durée de toute garantie implicite est limitée à un an comme cela est spécifié dans la garantie explicite. Quelques états ne permettent pas de limites quant à la durée d'une garantie implicite, par conséquent la limitation indiquée ci-dessus peut ne pas vous concerner.

L'OBLIGATION DE REPARER OU DE REMPLACER DE LA PART DE BROAN SERA LE SEUL ET EXCLUSIF REMEDE DE L'ACHETEUR COUVERT PAR CETTE GARANTIE. BROAN NE SERA PAS RESPONSABLE DES DOMMAGES ACCIDENTELS, CONSEQUENTIELS OU SPECIAUX DUS A L'UTILISATION DU PRODUIT OU A SA PERFORMANCE OU EN ETANT LA CONSEQUENCE. Quelques états ne permettent pas l'exclusion ou la limitation des dommages accidentels ou consécutifs, par conséquent la limitation indiquée ci-dessus peut ne pas vous concerner. Cette garantie vous donne des droits légaux spécifiques, et vous pouvez aussi avoir d'autres droits, qui varient d'Etat à Etat. Cette garantie dépasse toute garantie précédente. Pour avoir droit à la garantie, vous devez (a) avvertir la Maison Broan à l'adresse indiquée ci-dessous ou téléphoner : 1-800-637-1453, (b) donner le numéro du modèle et l'identification de la pièce défectueuse et (c) décrire la nature de tout défaut de l'article ou de la pièce. Au moment où vous demandez le service de garantie, vous devez présenter la preuve d'achat avec la date.

BEST BY BROAN, P.O. Box 140 Hartford, Wisconsin 53027

LEA Y CONSERVE ESTAS INSTRUCCIONES

 **INDICADO PARA EL USO EN COCINAS DOMESTICAS** 

  **ADVERTENCIA**

PARA EVITAR EL RIESGO DE INCENDIO, CORTOCIRCUITO O DAÑO PARA LAS PERSONAS, OBSERVE ATENTAMENTE LAS SIGUIENTES NORMAS:

1. Use esta unidad solamente de la manera indicada por el fabricante; si tiene dudas, póngase en contacto con éste a la dirección o teléfono indicados en la garantía.
2. Antes de hacer una revisión o de limpiar la unidad, desconéctela de la red para evitar que se encienda de manera accidental. En el caso de que éste no pueda ser desactivado, se indicará nel panel de servicio.
3. El montaje y la instalación eléctrica debe hacerlos un técnico especializado siguiendo las normas estándar e incluyendo aquellas de construcción anti incendio.
4. Necesita aire suficiente para una apropiada combustión y escape de gases a través del tubo del depósito de quema de combustible. Para evitar que el humo aspirado vuelva a la cocina, siga las directivas del fabricante y las normas estándar de seguridad así como las normas publicadas por la Asociación de prevención de incendios (NFPA) y la Sociedad americana de especialistas en calefacción, refrigeración y aire acondicionado y además las normas de las autoridades locales.
5. Hacer un corte o un taladro en la pared o en el techo no debe dañar la instalación eléctrica u otras instalaciones ocultas en la pared.
6. Los conductos ventiladores deben siempre desalojar al exterior.
7. No use esta unidad con dispositivo de control de la velocidad a estado sólido.
8. Para evitar el riesgo de incendio, use solamente conductos de metal.
9. Esta unidad tiene que ser conectada a tierra.

PARA EVITAR EL RIESGO DE FUEGO POR ALTO NIVEL DE GRASA:

- A. Nunca abandone los quemadores con el fuego alto. La cocción causa humo y restos de grasa que pueden arder. Caliente el aceite a fuego medio o bajo.
- B. Encienda siempre la campana cuando cocine a fuego alto o cuando cocine alimentos fácilmente inflamables. (por ejemplo Crepes Suzette, Cerezas Jubilee, Ternera flambeada con granos de pimienta).
- C. Limpie con frecuencia los ventiladores. No se debe acumular grasa en el ventilador o en el filtro.
- D. Usa el tamañ de cazueta apropiado. Use siempre utensilios de cocina de tamaño y material adecuados.

  **ADVERTENCIA**

PARA EVITAR EL RIESGO DE DAÑOS A PERSONAS EN CASO DE FUEGO POR ALTO NIVEL DE GRASA, TENGA EN CUENTA LO SIGUIENTE:*

1. SOFOQUE LA LLAMA con una tapadera apropiada, una bandeja metálica ó un utensilio de cocina que pueda cubrirla, despues, apague el quemador. ACTÚE CON PRECAUCIÓN PARA EVITAR QUEMADURAS. Si la llama no se extingue inmediatamente, SALGA Y LLAME A LOS BOMBEROS.
2. NUNCA COJA UNA SARTEN EN LLAMAS, porque corre el riesgo de quemarse.
3. NO USE AGUA ni paños o toallas húmidas porque puede provocarse una violenta humareda.
4. Use un extintor SOLAMENTE si:
 - A. Posee un extintor de clase ABC y sabe perfectamente cómo usarlo.
 - B. El fuego es pequeño y está controlado en el mismo sitio en que empezó.
 - C. Ha llamado con anterioridad a los bomberos.
 - D. Puede combatir el fuego retrocediendo hacia la salida.

* Basado en "Seguridad antifuego en la cocina" publicado por NFPA.

ADVERTENCIA

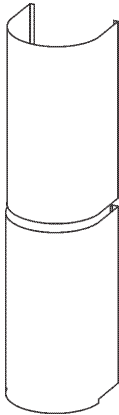
1. Para reducir el riesgo de incendios y para evacuar correctamente los humos, asegurarse de haber realizado una conducción del aire hasta el exterior. No expulsar los humos en espacios cerrados por paredes o techos, áticos, espacios angostos o garajes.
2. Prestar la máxima atención al utilizar productos de limpieza o detergentes.
3. Evitar el uso de productos alimentarios que puedan inflamarse bajo la campana.
4. Sólo para ventilación total. No use gases de escape peligrosos o materiales y vapores explosivos.
5. Para evitar daños en el funcionamiento del motor e impulsores ruidosos y/o desequilibrados, mantenga alejados de la unidad de encendido pulverizadores en seco o polvo.
6. El motor tiene un nivel de sobrecarga térmica que apaga automáticamente el motor cuando se ha recalentado excesivamente. El motor se pone de nuevo en funcionamiento cuando la temperatura baja. Si el motor comienza a encenderse y a apagarse, deberá hacer una revisión de éste.
7. Para limpiar mejor las impurezas al cocinar, la distancia entre la parte inferior de la campana y la zona de cocción debe ser mínimo 24" - máximo 30".
8. Debido a su gran tamaño y peso, se recomienda su montaje por parte de dos técnicos especializados.
9. Este producto está dotado de un termostato que pone en marcha automáticamente el motor. Para reducir el riesgo de daños y evitar que se encienda accidentalmente, colocar el interruptor del panel de servicio en la posición OFF y bloquear el panel de servicio o colocar una advertencia externa como por ejemplo un letrero o una chapita.
10. Use solamente con juego de conexión para alimentación aprobado.
11. Se recomienda leer la placa de características del producto para ulterior información.

PREPARE LA CAMPANA

Sacar la campana de l'embalaje y controlar el contenido.

Recivireis:

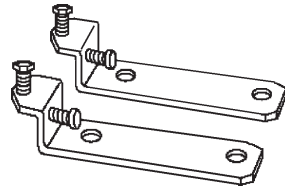
- 1 - Campana
- 1 - Tubo decorativo
- 1 - Casquillo
- 1 - Bolsita (B080810054) con:
 - 1 - Soporte para el montaje del tubo
 - 2 - Soportes de montaje
 - 10 - Tornillos de montaje (4,8 x 38mm cabeza redonda)
 - 4 - Tornillos de montaje (3,9 x 6mm cabeza redonda)
 - 4 - Tornillos de montaje (3,9 x 6mm cabeza redonda - Negra)
 - 10 - Escarpías
- 1 - Instrucciones para instalación
- 1 - Garantía



TUBO
DECORATIVO



SOPORTE PARA EL
MONTAJE DEL
TUBO



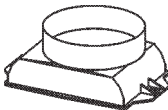
SOPORTES
DE MONTAJE



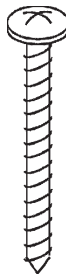
4 TORNILLOS DE
MONTAJE (3,9x6mm
cabeza redonda)



4 TORNILLOS DE
MONTAJE (3,9x6mm
cabeza redonda -
Negra)



CASQUILLO



10 TORNILLOS DE
MONTAJE (4,8x38mm
cabeza redonda)

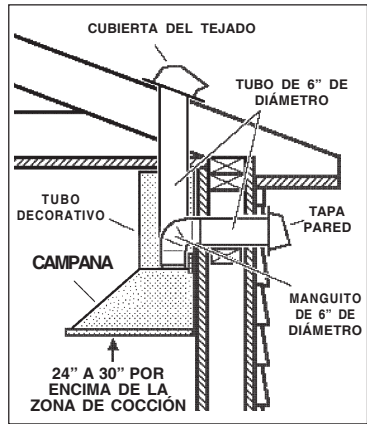


10 ESCARPIAS

INSTALACION DEL TUBO DE EXTRACCION

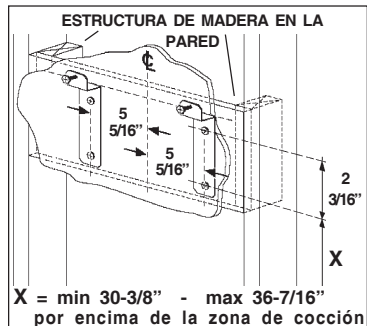
NOTA: para evitar el riesgo de incendio, use solamente material de metal.

1. Decida donde va a colocar el tubo de extracción entre la campana y la parte exterior.
2. Un recorrido de tubo corto y recto permitirá a la campana funcionar de manera más eficaz.
3. Los recorridos largos de tubo, codos y manguitos impiden el buen funcionamiento de la campana. Use el menor número de ellos posible.
4. Instale una cubierta ó una tapa. Una el tubo de metal de 6" de diámetro a la cubierta y retroceda hasta la posición de la campana. Use una cinta para precintar las juntas entre las partes del entubado.



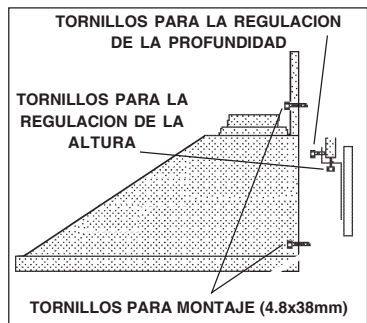
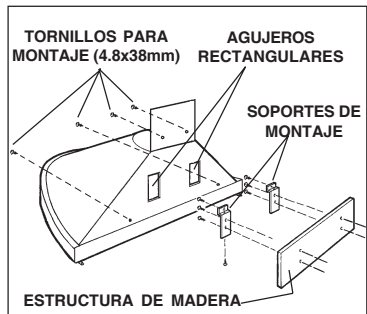
INSTALACION DE LOS SOPORTES PARA EL MONTAJE

1. Construya una **estructura de madera** en la pared que quedará nivelada con la parte interior de los tacos en la pared. Asegúrese de que:
 - a) La estructura se encuentra centrada por encima de la instalación del tubo.
 - b) La altura de la estructura permite fijar los **soportes** para el montaje en esta estructura siguiendo las dimensiones indicadas.
2. Una vez que la superficie de la pared esté acabada, sujete los soportes para el montaje siguiendo las dimensiones indicadas.



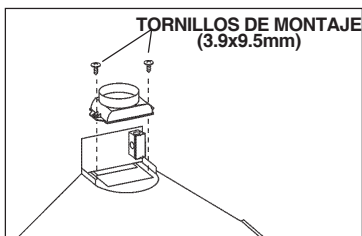
INSTALACION DE LA CAMPANA

1. Cuelgue la campana de los soportes por los **agujeros rectangulares** situados detrás de la campana. Los agujeros son más grandes que los soportes para permitir el ajuste en horizontal. La parte inferior de la campana debe estar a una distancia de 24" ó 30" por encima de la zona de cocción.
2. Los **tornillos para la regulación de la altura** permiten un ajuste en vertical.
3. Los **tornillos para la regulación de la profundidad** permiten un ajuste en horizontal.
4. Sujete la campana con **tornillos para montaje** (4.8x38mm). Use escarpas si no dispone de tacos o de la estructura de soporte en madera.



INSTALACION DEL CASQUILLO DE UNION CON EL TUBO

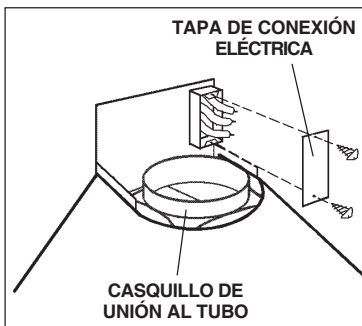
Sujete el casquillo de unión en la parte superior de la campana; el casquillo se asegura por medio de 2 tornillos de montaje (3,9 x 9,5mm cabeza redonda).



INSTALACION ELECTRICA

Nota: Este tipo de campana tiene que ser conectada a tierra cuidadosamente. La unidad debe instalarla un técnico electricista siguiendo las normas nacionales y locales.

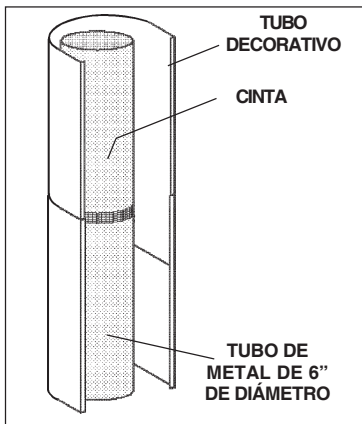
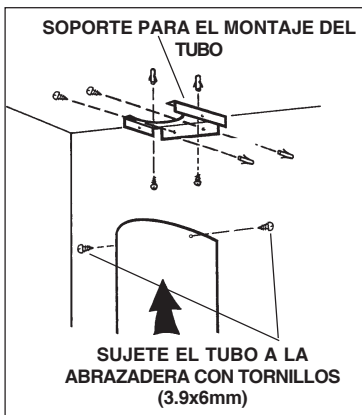
1. Quite la **tapa de la caja de conexión eléctrica** y saque un cable.
2. Fije el "conduit" a la caja de conexión por medio de un conector idóneo para el "conduit".
3. Haga las conexiones eléctricas, una blanco con blanco, negro con negro y verde con verde.
4. Vuelva a conectar la tapa de la caja de conexión. Compruebe que los cables no queden pillados.



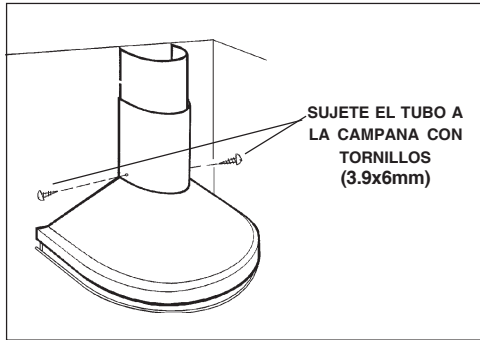
ENTUBADO DE CANALIZACION

Configuración con tubo

1. Use (2) tornillos (4.8x38mm) y escarpías para fijar al techo o a la pared **el soporte para el montaje del tubo** como se indica.
2. Use un **tubo de metal de 6"** (150mm) de diámetro para unir el casquillo que se encuentra encima de la campana al tubo de extracción situado arriba.
3. Use cinta para ajustar todas las juntas y que quede hermético.
4. Una la parte superior del tubo decorativo al soporte con los tornillos adjuntos (3.9x6mm).



5. Deslice la parte inferior del tubo decorativo hacia abajo hasta que ajuste perfectamente con la campana.
6. Sujete el tubo decorativo a la campana por medio de los tornillos adjuntos (3.9x6mm).

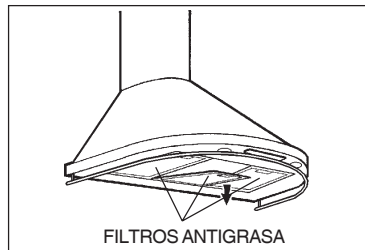


MANTENIMIENTO

Filtros antigrasa

Los **filtros antigrasa** deben limpiarse a menudo. Use un detergente que no sea fuerte. Los filtros antigrasa se pueden meter en el lavavajillas.

Para extraer los filtros antigrasa, empuje de las manillas hacia dentro y tire de los filtros hacia abajo.



Limpieza de la campana

El acero inoxidable es uno de los materiales más fáciles de limpiar, pero sería aconsejable un especial cuidado en su uso para mantenerla en buen estado.

La campana se puede limpiar de las siguientes maneras:

- Agua caliente con jabón o detergente es la mejor manera para limpiarla.
- Aclárela con agua corriente, séquela con un paño suave y limpio para evitar las huellas que deja el agua.
- Para las manchas o restos de grasa que persistan, use un producto químico doméstico que no raye ó un limpiador para acero inoxidable con poca agua y un paño suave.
- Si las manchas persisten, use un estropajo y un cepillo de cerdas suaves con un producto limpiador y agua. Frote suavemente en el sentido del pulido o de las "vetas" del remate del inoxidable. No apriete demasiado porque podría dañar la superficie.
- No deje que las manchas se acumulen durante mucho tiempo.
- No use utensilios o cepillos de acero. Pequeñas partículas de acero pueden adherirse y oxidarse.
- No use soluciones salinas, desinfectantes, lejías, o productos de limpieza que permanezcan en contacto con el acero inoxidable durante largos periodos de tiempo. Muchos de estos productos contienen componentes químicos que podrían resultar nocivos. Aclare con agua y seque con un paño limpio.

Las superficies lacadas deben limpiarse solamente con agua tibia y detergente no muy fuerte.

FUNCIONAMIENTO

Mandos

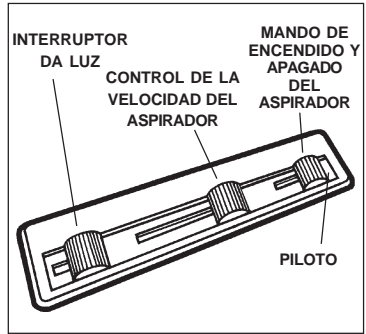
La campana se pone en funcionamiento usando los mandos situados abajo de la parte frontal de la campana.

El **interruptor sa luz** enciende y apaga las lámparas halógenas.

El **mando de encendido y apagado del aspirador** pone éste en posición de encendido junto con el control de la velocidad.

El **control de velocidad del aspirador** cambia la velocidad dal aspirador (1-2-3).

El **piloto** se enciende cuando el aspirador está funcionando.



HEAT SENTRYMR

Su campana esta equipada con termostato HEAT SENTRYMR. Este termostato tiene un mecanismo que se encenderáo aceleratáel ventilador si se detecta un calor excesivo encima de la cocina.

- 1) Si el ventilador esta apagando - el se prenderá a una velocidad máxima.
- 2) Si el ventilador esta encendido a una velocidad minima - el se prenderá a una velocidad máxima.

Cuando la temperatura disminuye a un nivel normal, el ventilador vuelve a la función de origen.

AVERTENCIA

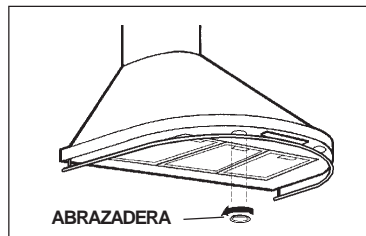
EI HEAT SENTRYmr termostato puede comenzar a funcionar al igual si la campana esta parada. En este caso, es imposible parar el ventilador con los interruptores. Si usted para la campana, halago a partir del panel eléctrico principal.

LAMPARAS HALOGENAS

Este tipo de campana necesita dos (2) lámparas halógenas (Tipo JC, 12V, 20W Max, G-4Base).

ANTES DE PROCEDER A CUALQUIER OPERACIÓN, ES NECESARIO DESCONECTAR EL APARATO. Para cambiar las lámparas:

1. Destornillar la abrazadera en sentido antihorario.
2. Extraiga la lámpara oblicuamente (no la gire)- **ATENCIÓN: LAS LÁMPARAS PUE-DEN ESTAR CALIENTES.**
3. Sustituir con lámparas del tipo (JC, 12Volt, 20Watt Max, G-4 Base).



SI DESPUÉS DE HABER CAMBIADO LAS LÁMPARAS HALÓGENAS ÉSTAS NO FUNCIONASEN, PÓNGASE EN CONTACTO CON UN TÉCNICO ESPECIALIZADO.

SUSTITUCION FUSIBLE

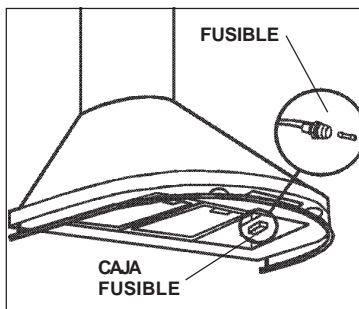
DESCONECTAR EL APARATO.

Remover los filtros antigrasa.

Remover los tornillos de la caja fusible.

Abrir la caja fusible.

Sustituir por un fusible del mismo tipo (5x20mm, 4A, 125V).



GARANTIA

GARANTIA BROAN POR UN AÑO

Broan garantiza al consumidor-comprador de sus productos que dichos productos no tendrán defectos en los materiales o fabricación, durante un periodo de un año a partir de la fecha de la compra. NO HAY OTRO TIPO DE GARANTIAS QUE INCLUYAN O SE LIMITEN EXCLUSIVAMENTE A GARANTIAS IMPLICITAS O DE CAPACIDAD COMERCIAL O CONVENIENCIA PARA UN PROPOSITO ESPECIFICO.

Durante el periodo de un año, Broan, si lo estima conveniente, reparará o reemplazará sin gastos para el usuario cualquier producto o parte de éste que sea defectuosos habiéndose usado correctamente, ESTA GARANTIA NO CUBRE: ESTARTER DE NEON, NEON, LÁMPARAS HALÓGENAS, LÁMPARAS DE ILUMINACIÓN. Tampoco cubre el mantenimiento ni los productos o partes de éstos que hayan sido usados de forma incorrecta, con negligencia, rotos accidentalmente o por una incorrecta manutención ó reparación (distinta da la realizada por Broan), montaje incorrecto ó instalación que no se ajuste a las instrucciones de montaje indicadas. Le duración de la garantía se limita al periodo de un año como está especificado en la garantía explicita. Algunos países no permiten un limite en la duración de la garantía implicita; si es así en su caso, esta limitación arriba indicada podría no aplicarse.

LA PRESENTE GARANTIA CUBRIRA EXCLUSIVAMENTE AL COMPRADOR LOS SERVICIOS DESCRITOS ANTERIORMENTE. BROAN NO SE HACE RESPONSABLE DE DANOS PRODUCIDOS DE MANERA ACCIDENTAL O RELACIONADOS CON EL USO INCORRECTO DEL PRODUCTO O SU FUNCIONAMIENTO.

Algunos países no permiten la exclusión o limitación de los daños producidos de manera accidental, si es así en su caso, esta limitación arriba indicada podría no aplicarse. Esta garantía le da derechos legales específicos y podría también disponer de otros derechos que varían de país a país. Esta garantía supera otras garantías dadas con anterioridad. Para disfrutar de la garantía usted deberá a) Avisar a la dirección abajo indicada ó bien llamar por teléfono al número 1-800-637-1453 b) Dar el número de serie del modelo correspondiente o bien una descripción de la parte averiada, c) Descripción del defecto en el producto o bien en una de sus partes. Para requerir un servicio en garantía debe presentar el justificante con la fecha de la compra.

BEST BY BROAN, P.O. Box 140 Hartford, Wisconsin 53027

SERVICE PARTS

MODEL K15 - Parts for stainless steel models shown. For service parts for black or white models, call Broan Customer Service.

KEY NO.	PART NO.	DESCRIPTION
9	B08087163	Grease Filter
14	B02300233	Motor Capacitor
19	B03295005	Capacitor Protection
26	B02300891	Halogen Lamp Bulb
30	B03292291	Switch Board Box Protection
37	B02300787	Heat Sentry
39	B03294033	Electrical Box Cover
42	B03295001	Flange
48	B02310201	Motor
49	B03295071	Blower Wheel
53	B03202007	Rubber Washer
56	B03292292	Duct Connector
57	B02000756	Damper Flap
68	B02000295	Right Motor Housing
69	B02000296	Left Motor Housing
112	BE3345808	Wiring Support
115	BE3334250	Power Cable Connection Box
116	BE3334252	Power Cable Connection Box Cover
118	BE3341061	Decorative Flue Bottom
119	BE3341071	Decorative Flue Top
120	BE3334416	Flue Mounting Bracket
135	B02009106	Utensil Rail
144	B03292287	Wire Clamp
147	BR2300135	Junction Clamp
165	B03294781	Electrical Box
165	B03295008	Control Board Box
166	B08086668	Circuit Board
208	B02300783	Transformer
230	B03292937	Switch Board Box Cover
274	B03295035	Fuse Box
373	BE3343004	Transformer Support
474	B02300790	Halogen Lamp Housing
477	B03295006	Closing
998	B080810054	Hardware Package
*	B06002017	Blower Assembly (Includes Key Nos. 42, 48, 49, 53, 68, 69)
*	B06107642	Switch Box Assembly (Includes Key Nos. 222, 223, 224, 225, 226, 228, 229, 230)
-	B02300782	Fuse
-	B02300674	Fuse Holder

* Not shown assembled.

LISTE PIECES DE RECHANGE

MODELE K15 - Ci-dessous liste pièces de rechange pour hottes en inox. Pour les pièces de rechange des modèles de couleurs noir ou blanc, contacter Broan Customer Service.

N.	PART N.	DESCRIPTION
9	B08087163	Filtre anti-graisse
14	B02300233	Condensateur
19	B03295005	Protection condensateur
26	B02300891	Lampe halogène
30	B03292291	Protection tableau commandes
37	B02300787	Capteur de température
39	B03294033	Couvercle boîte installation électrique
42	B03295001	Bride de raccordement
48	B02310201	Moteur
49	B03295071	Turbine du moteur
53	B03202007	Pare-chocs
56	B03292292	Bride de raccordement
57	B02000756	Clapet anti-retour
68	B02000295	Cocue convoyeur droite
69	B02000296	Cocue convoyeur gauche
112	BE3345808	Support installation électrique
115	BE3334250	Boîte de connection cable alimentation
116	BE3334252	Couvercle boîte de connection cable alimentation
118	BE3341061	Tube inférieur
119	BE3341071	Tube supérieur
120	BE3334416	Etrier montage tube
135	B02009106	Porte-utensiles de cuisine
144	B03292287	Serre cable
147	BR2300135	Borne
165	B03294781	Boîte installation électrique
165	B03295008	Boîte borne
166	B08086668	Circuit imprimé installation électrique
208	B02300783	Trasformateur
230	B03292937	Couvercle boîte commandes
274	B03295035	Boîte Fusible
373	BE3343004	Support trasformateur
474	B02300790	Boîte lampe halogène
477	B03295006	Fermeture
998	B080810054	Accessoires de fixation
*	B06002017	Ensemble moteur (Comprenant n. 42, 48, 49, 53, 68, 69)
*	B06107642	Ensemble commandes (Comprenant n. 222, 223, 224, 225, 226, 228, 229, 230)
-	B02300782	Fusible
-	B02300674	Porte-fusible

* Illustrées separement.

LISTA DE PIEZAS DE RECAMBIO

MODELO K15 - Aquí aparecen solamente las piezas de recambio para campanas de acero inoxidable, si desean las piezas de recambio de los modelos en blanco ó negro, pónganse en contacto con el servicio al cliente de Broan.

CÓD. N.	PIEZA N.	DESCRIPCION
9	B08087163	Filtro antigrasa
14	B02300233	Condensador
19	B03295005	Protección condensador
26	B02300891	Lámpara halógena
30	B03292291	Protección caja mandos
37	B02300787	Sensor de temperatura
39	B03294033	Tapa de la caja de instalación eléctrica
42	B03295001	Casquillo
48	B02310201	Motor
49	B03295071	Manilla del motor
53	B03202007	Guarnición
56	B03292292	Conector del tubo
57	B02000756	Válvula de no retorno
68	B02000295	Caja motor derecho
69	B02000296	Caja motor izquierdo
112	BE3345808	Soporte instalación eléctrica
115	BE3334250	Caja cable alimentación
116	BE3334252	Tapa caja cable alimentación
118	BE3341061	Tubo decorativo inferior
119	BE3341071	Tubo decorativo superior
120	BE3334416	Soporte de montaje del tubo
135	B02009106	Porta utensilios de cocina
144	B03292287	Sujeta cabos
147	BR2300135	Terminal
165	B03294781	Caja para instalación eléctrica
165	B03295008	Caja base para instalación eléctrica
166	B08086668	Base para instalación eléctrica
208	B02300783	Trasformador
230	B03292937	Tapa caja mandos
274	B03295035	Caja fusible
373	BE3343004	Soporte transformador
474	B02300790	Caja de la lámpara halógena
477	B03295006	Cierre
998	B080810054	Accesorios para el montaje
*	B06002017	Conjunto motor (Incluye los N. 42, 48, 49, 53, 68, 69)
*	B06107642	Conjunto caja mandos (Incluye los N. 222, 223, 224, 225, 226, 228, 229, 230)
-	B02300782	Fusible
-	B02300674	Portafusible

* Se encuentran por separado.

SERVICE PARTS

MODEL K15

